



## SC-IMAGE 8

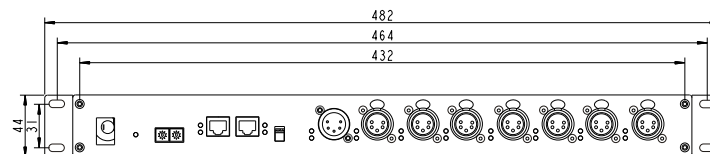
### FEATURES

- 1U 19" rackmount, LED mapping system
- The latest Artnet, 8 Universe DMX system
- The latest Artnet, 8 Universe DMX system
- Each of 8 DMX outputs could be independently selected to run either DMX-512(1990) or NCWDMX-1000K.
- Dip switch for switching between Artnet protocol and NCW CL100II protocol. NCW CL100II is an open protocol which provides freedom for customer to use a third party software to control SC-IMAGE 8.
- The Artnet protocol can be divided into video signal and dimmer signal.
- The Artnet protocol can be divided into video signal and dimmer signal.

### SPECIFICATION

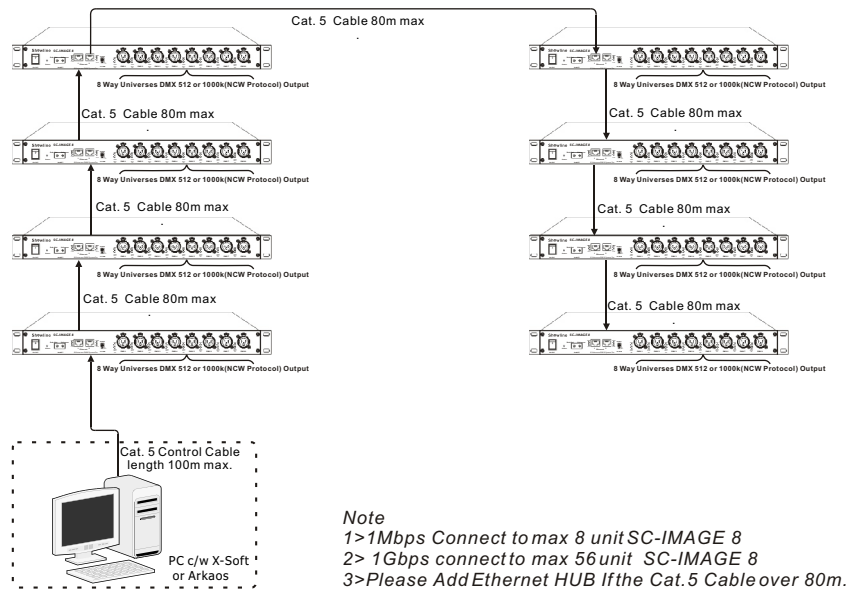
<input type="checkbox"/> <b>POWER INPUT</b>	AC 100-240V, 50/60Hz
<input type="checkbox"/> <b>DATA INPUT</b>	RJ45 socket for Ethernet and 5-pin XLR male socket for DMX Trigger
<input type="checkbox"/> <b>DATA OUTPUT</b>	8pcs of 5-pin XLR female socket
<input type="checkbox"/> <b>HOUSING</b>	Sheet metal black powder finish
<input type="checkbox"/> <b>INGRESS PROTECTION RATING</b>	IP20
<input type="checkbox"/> <b>DRIVER OUTPUT SIGNAL</b>	DMX-512 (1990) / DMX-1000K
<input type="checkbox"/> <b>ETHERNET PROTOCOL</b>	TCP/IP , ArtNet
<input type="checkbox"/> <b>CONNECTION</b>	5-pin XLR female socket
<input type="checkbox"/> <b>LISTING</b>	CE certified
<input type="checkbox"/> <b>OPERATION TEMPERATURE</b>	0 degC to +35 degC
<input type="checkbox"/> <b>STORAGE TEMPERATURE</b>	-20 degC to +70 degC
<input type="checkbox"/> <b>DIMENSION</b>	2U 19" / 482(L) x 140(W) x 44(H)mm
<input type="checkbox"/> <b>WEIGHT</b>	1.5Kg

### DIMENSIONS



## SC-IMAGE 8

### SYSTEM CONNECTION (100Mbps)



### SYSTEM CONNECTION (1Gbps)

