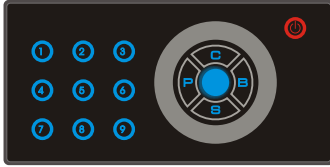


SC-TOUCH 9 L



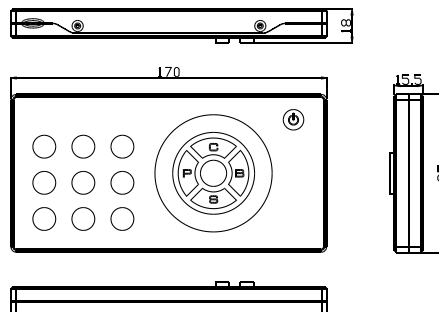
FEATURES

- Touch interface, 1Gang (EU version).
- DMX512/PWM output.
 - * SC-TOUCH 9 L uses RGB three channels, 2A per channel, 6A in total.
 - * Red is controlled by channel 1, 4, 7...
 - * Green is controlled by channel 2, 5, 8...
 - * Blue is controlled by channel 3, 6, 9...
- LED indicator to display the current output.
- Four function menus.
- To record and play back upto 9 scenes and 9 colors.
- To set fadetime for Power on/off and color exchange in the range of 0 to 4s.
- To assign key tone ON/OFF.
- To select input voltage in DC12-24V according to the output loading voltage.
 - Online function allows multiple linked SC-TOUCH 9 Ls to perform the same Color or Program simultaneously.
- Data backup, function memory and power failure protection.
- White/ Grey/ Black housing optional

SPECIFICATION

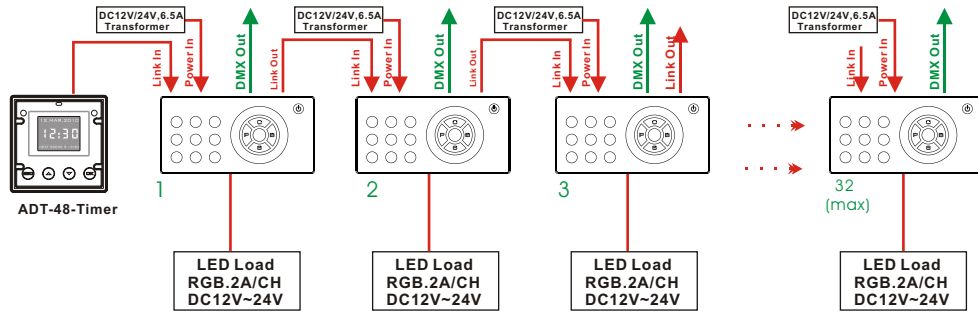
<input type="checkbox"/> POWER SUPPLY	DC12-24V
<input type="checkbox"/> LOADING	2A per channel, 6A in total
<input type="checkbox"/> DMX OUT	4Pin Green terminal
<input type="checkbox"/> LINK IN/OUT	4Pin Green terminal
<input type="checkbox"/> PWM OUT & POWER IN	6Pin Green terminal
<input type="checkbox"/> HOUSING	Black Polycarbonate (White, Gray optional)
<input type="checkbox"/> OPERATION TEMPERATURE	0 degC to +35 degC
<input type="checkbox"/> STORAGE TEMPERATURE	-20 degC to +70 degC
<input type="checkbox"/> DIMENSIONS	170(L) x 85(W) x 15.5(H)mm
<input type="checkbox"/> WEIGHT	200g

DIMENSIONS



SC-TOUCH 9 L

SYSTEM CONNECTION



All rights reserved.

The Company reserves the right to make any variation in design or construction to the equipment described. E&OE

Philips Entertainment Lighting Asia Limited (PELA)

Unit C 14/F, Roxy Industrial Centre, no. 41-49 Kwai Cheong Road, Kwai Chung, N.T., Hong Kong

Tel: +852 - 2796 9786, Fax: +852 - 2798 6545

Showline_info@philips.com