

LED  
200W COB

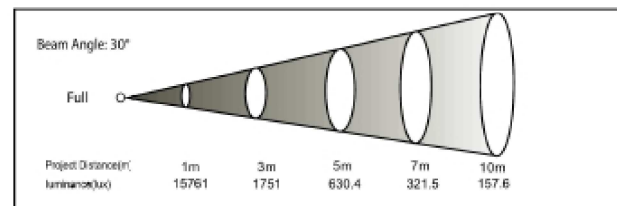
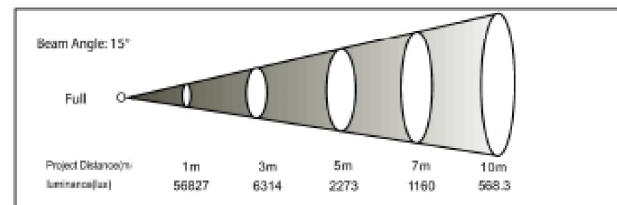
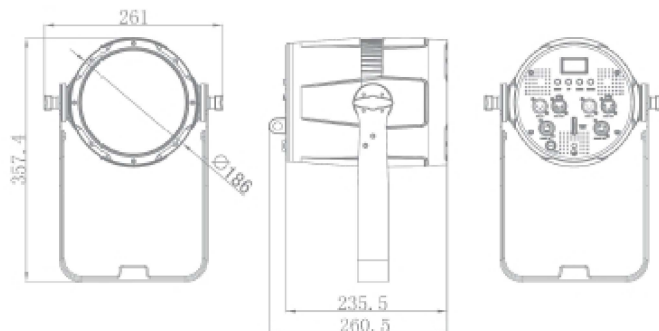
Warm  
White  
3000K

beam  
15°/30°/60°

IP20

## COB PAR – WHITE

- Parabolic aluminium reflector and Fresnel lens deliver classic PAR performance with modern features
- 1 x 200W Chip On Board White LED (3100K standard, 5000K optional)
- Flicker-free output, quiet operation
- New ultra-linear dimming technology
- Lens options for choice of narrow, medium or wide beam angles
- Double mounting bracket allows fixture to be flown or floor-mounted
- Available in Chrome finish
- DMX control



<b>Photometrics</b>	
Light Source:	200W COB 3100K White LED (CRI: 91)
Beam Angle:	15° / 30°
Field Angle:	26° / 53°
Output:	2273 / 638 LUX @ 5 meters
<b>Key Features</b>	
Strobe:	0–30 Hz
Dimming:	4 dimming curve modes
<b>Control</b>	
Protocol:	DMX
DMX Channels:	1 / 2 / 5
Built-in Programs:	Yes
Display:	OLED function menu with 4 touch buttons
<b>Power</b>	
Mains:	100V–240V 50/60 Hz
Consumption:	120W
<b>I/O</b>	
Power connections:	Neutrik PowerCon In/Out
Data connections:	3-pin and 5-pin XLR In/Out for DMX
<b>Housing</b>	
Material:	Diecast aluminum
Finish:	Matte black or Chrome
IP rating:	IP20
<b>Thermal</b>	
Cooling:	Active (variable speed fan)
Max. Ambient:	45° C
Min. Ambient:	0° C
Max. Housing:	59° C
<b>Physical</b>	
Dimensions:	261 x 260 x 357 mm
Weight:	4.8 KG
<b>Misc / Options</b>	
Color Temperature:	Also available in 5000K
Lens accessory package:	Included
Power Cord:	Included (PowerCon)
Mounting Clamp:	Not included
Barndoor:	included